



# *Owner's Manual*

Original Instructions  
Air Conditioners

## **N Series Floor Ceiling Type Unit**

Models:

Indoor Unit

CH-F050NK

CH-F071NK

CH-F085NK

CH-F100NK

CH-F125NK

CH-F140NK

CH-F160NK

Outdoor Unit

CH-U050NK

CH-U071NK

CH-U085NK

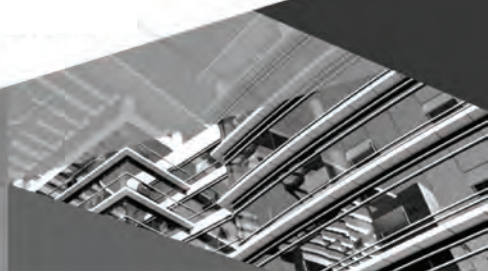
CH-U100NK

CH-U125NK

CH-U140NK

CH-U160NK

Thank you for choosing air conditioners. Please read this Owner's Manual carefully before operation and retain it for future reference.





## To Users

Thank you for selecting C&H's product. Please read this instruction manual carefully before installing and using the product, so as to master and correctly use the product. In order to guide you to correctly install and use our product and achieve expected operating effect, we hereby instruct as below:

- (1) This appliance can be used by children aged from 8 years and above and persons with reduced physical, sensory or mental capabilities or lack of experience and knowledge if they have been given supervision or instruction concerning use of the appliance in a safe way and understand the hazards involved. Children shall not play with the appliance. Cleaning and user maintenance shall not be made by children without supervision.
- (2) In order to ensure reliability of product, the product may consume some power under stand-by status for maintaining normal communication of system and preheating refrigerant and lubricant. If the product is not to be used for long, cut off the power supply; please energize and preheat the unit in advance before reusing it.
- (3) Please properly select the model according to actual using environment, otherwise it may impact the using convenience.
- (4) This product has gone through strict inspection and operational test before leaving the factory. In order to avoid damage due to improper disassembly and inspection, which may impact the normal operation of unit, please do not disassemble the unit by yourself. You can contact with the special maintenance center of our company if necessary.
- (5) When the product is faulted and cannot be operated, please contact with our maintenance center as soon as possible by providing the following information.
  - 1) Contents of nameplate of product (model, cooling/heating capacity, product No., ex-factory date).
  - 2) Malfunction status (specify the situations before and after the error occurs).

- (6) All the illustrations and information in the instruction manual are only for reference. In order to make the product better, we will continuously conduct improvement and innovation. We have the right to make necessary revision to the product from time to time due to the reason of sales or production, and reserve the right to revise the contents without further notice.
- (7) Indoor unit must not be installed in a laundry.
- (8) If the supply cord is damaged, it must be replaced by the manufacturer, its service agent or similarly qualified persons in order to avoid a hazard.
- (9) C&H Electric Appliances Inc. of Zuhai assumes no responsibility for personal injury, property loss or equipment damage caused by improper installation and commissioning, unnecessary maintenance, or not following relevant national rules and regulations, industrial standards and requirements in this instruction manual.
- (10) The final right to interpret for this instruction manual belongs to C&H.

## Exception Clauses

Manufacturer will bear no responsibilities when personal injury or property loss is caused by the following reasons:

- (1) Damage the product due to improper use or misuse of the product.
- (2) Alter, change, maintain or use the product with other equipment without abiding by the instruction manual of manufacturer.
- (3) After verification, the defect of product is directly caused by corrosive gas;
- (4) After verification, defects are due to improper operation during transportation of product.
- (5) Operate, repair, maintain the unit without abiding by instruction manual or related regulations.
- (6) After verification, the problem or dispute is caused by the quality specification or performance of parts and components that produced by other manufacturers.
- (7) The damage is caused by natural calamities, bad using environment or force majeure.

# Contents

<b>1 Safety Notices (Please be sure to abide them) .....</b>	<b>1</b>
<b>2 Product Introduction .....</b>	<b>5</b>
2.1 Overall Layout.....	5
2.2 Product Operating Range .....	6
2.3 Standard Accessories .....	6
<b>3 Installation.....</b>	<b>7</b>
3.1 Installation Preparation .....	7
3.2 Unit Installation.....	16
3.3 Electrical Installation .....	31
3.4 Check after Installation.....	40
3.5 Test Running .....	40
<b>4 Installation of Controller .....</b>	<b>41</b>
<b>5 Maintenance .....</b>	<b>42</b>
5.1 Failures Not Caused by Faults of the AC .....	42
5.2 Error Code .....	42
5.3 Unit Maintenance .....	44
5.4 After-Sales Services.....	46



This marking indicates that this product should not be disposed with other household wastes throughout the EU. To prevent possible harm to the environment or human health from uncontrolled waste disposal, recycle it responsibly to promote the sustainable reuse of material resources. To return your used device, please use the return and collection systems or contact the retailer where the product was purchased. They can take this product for environmental safe recycling.

# 1 Safety Notices (Please be sure to abide them)

## SPECIAL WARNING:

- (1) Do not pierce or burn.
- (2) Do not use means to accelerate the defrosting process or to clean, other than those recommended by the manufacturer.
- (3) Be aware that refrigerants may not contain an odor.
- (4) The appliance shall be stored in a room without continuously operating ignition sources (for example: open flames, an operating gas appliance or an operating electric heater).



**PROHIBITED:** This sign indicates that the operation must be prohibited.

Improper operation may cause severe damage or death to people.



**WARNING:** If not abide them strictly, it may cause severe damage to the unit or the people.



**NOTICE:** If not abide them strictly, it may cause slight or medium damage to the unit or the people.



**OBSERVED:** This sign indicates that the items must be observed.

Improper operation may cause damage to people or property.



**WARNING:**

This product can't be installed at corrosive, inflammable or explosive environment or the place with special requirements, such as kitchen. Otherwise, it will affect the normal operation or shorten the service life of the unit, or even cause fire hazard or serious injury. As for above special places, please adopt special air conditioner with anti-corrosive or anti-explosion function.

Please read this operating manual carefully before operating the unit.



Before using the air conditioner, please read the instruction manual.



Before installing the air conditioner, please read the instruction manual.

Before repairing the air conditioner, please read the instruction manual.



The figures in this manual may be different with the material objects, please refer to the material objects for reference.



**PROHIBITED!**

- (1) The air conditioner should be grounded to avoid electric shock. Do not connect the ground wire to gas pipe, water pipe, lightning arrester or telephone wire.
- (2) The appliance shall be stored in a well-ventilated area where the room size corresponds to the room area as specified for operation.
- (3) The appliance shall be stored in a room without continuously operating open flames (for example an operating gas appliance) and ignition sources (for example an operating electric heater).
- (4) According to federal/state/local laws and regulations, all packages and transportation materials, including nails, metal or wooden parts, and plastic packing material, must be treated in a safe way.



**WARNING!**

- (1) Please install according to this instruction manual. Installation must be performed in accordance with the requirement of NEC and CEC by authorized personnel only.
- (2) Any person who is involved with working on or breaking into a refrigerant circuit should hold a current valid certificate from an industry-accredited assessment authority, which authorises their competence to handle refrigerants safely in accordance with an industry recognised assessment specification.
- (3) Servicing shall only be performed as recommended by the equipment manufacturer.
- (4) The appliance shall be installed in accordance with national wiring regulations.
- (5) The fixed wires connecting to the appliance must be configured with all-pole disconnection device under voltage grade III according to wiring rules.
- (6) Air conditioner should be stored with protective measures against mechanical damage caused by accident.
- (7) If the installation space for air conditioner pipe is too small, adopt a protective measure to prevent the pipe from physical damage.
- (8) During installation, use the specialized accessories and components, otherwise water leakage, electric shock or fire hazard may occur.
- (9) Please install the air conditioner in a secure place that can withstand the weight of air conditioner. Insecure installation may cause the air conditioner falling down and lead to injury.
- (10) Be sure to adopt independent power circuit. If the power cord is damaged, it must be repaired by the manufacturer, service agent or other professional agents.

**WARNING!**

- |   |
|---|
| (11) The air conditioner can be cleaned only after it is turned off and power-disconnected, otherwise electric shock may occur.   |
| (12) The air conditioner is not intended to be cleaned or maintained by children without supervision.   |
| (13) Do not alter the setting of pressure sensor or other protective devices. If the protective devices are short-circuited or changed against rules, fire hazard or even explosion may occur.  |
| (14) Do not operate the air conditioner with wet hands. Do not wash or sprinkle water on the air conditioner, otherwise malfunction or electric shock will occur.   |
| (15) Do not dry the filter with naked flame or an air blower; otherwise the filter will be out of shape.  |
| (16) If the unit is to be installed in a small space, please adopt protective measures to prevent the concentration of refrigerant from exceeding the allowable safety limit; excessive refrigerant leakage may lead to explosion.  |
| (17) When installing or re-installing the air conditioner, please keep the refrigerant circuit away from substances other than the specified refrigerant, such as air. Any presence of foreign substances will cause abnormal pressure change or even explosion, resulting in injury. |
| (18) Only professionals are allowed to carry on daily maintenance.  |
| (19) Before contacting any wire, make sure power is cut off.  |
| (20) Do not let any inflammable objects near the unit.  |
| (21) Do not use organic solvent to clean the air conditioner.   |
| (22) If you need to replace a component, please ask a professional to repair with a component supplied by the original manufacturer so as to ensure the unit's quality.   |
| (23) Improper operation may get the unit broken, hit by electric shock or cause fire.   |
| (24) Do not make the air conditioner wet or electric shock may be lead; Ensure that the air conditioner will not be cleaned by water rinsing under any circumstance.  |





**NOTICE!**

- (1) Do not put a finger or other objects into the air inlet or air return grill.
- (2) Please adopt safety protection measures before touching the refrigerant pipe, otherwise your hands may be hurt.
- (3) Please arrange the drain pipe according to the instruction manual.
- (4) Never stop the air conditioner by directly cutting off the power.
- (5) Please select the proper copper pipe according to the requirement for pipe thickness.
- (6) Indoor unit can only be installed indoors while outdoor unit can be installed either indoors or outdoors. Never install the air conditioner in the following places:
  - 1) Places with oil smoke or volatile liquid: plastic parts may deteriorate and fall off or even cause water leakage.
  - 2) Places with corrosive gas: copper pipe or the welding parts may be corroded and cause refrigerant leakage.
- (7) Adopt proper measures to protect the outdoor unit from small animals because they may damage the electric components and cause malfunction of the air conditioner.
- (8) Before cleaning, please make sure the unit is stopped. Cut the circuit breaker and remove the power socket, otherwise, electric shock may occur.
- (9) Do not wash the air conditioner with water, otherwise fire hazard or electric shock may occur.
- (10) When cleaning the filter, please be careful of your steps. If you need to work high above the ground, please be extremely careful.

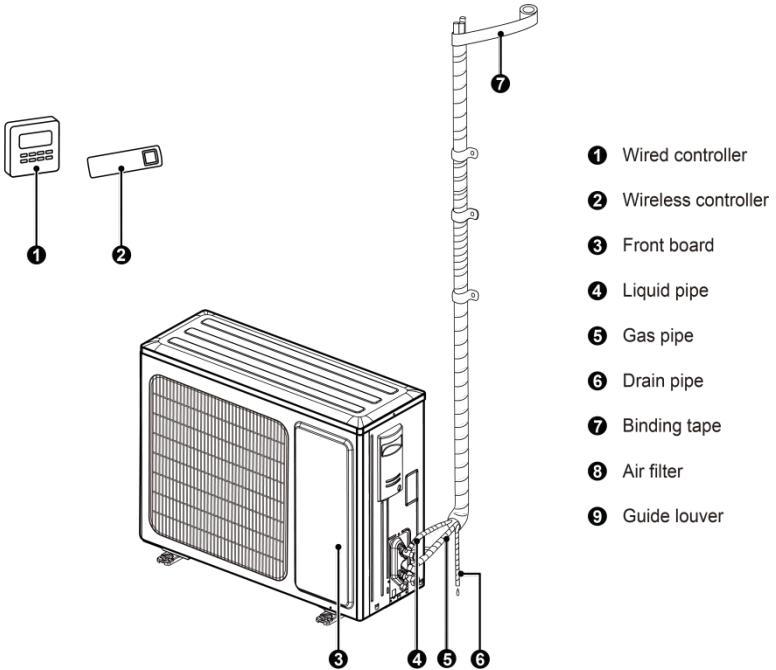
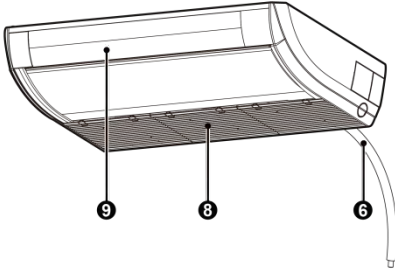


**OBSERVED!**

- (1) If wired control is to be used, it should be connected first before powering up the unit, otherwise the wired control may not be able to use.
- (2) When installing the indoor unit, keep it away from television, wireless waves, and fluorescent.
- (3) Only use soft dry cloth or slightly wet cloth with neutral detergent to clean the casing of the air conditioner.
- (4) Before operating the unit under low temperature, connect it to power for 8 hours. If it is stopped for a short time, for example, one night, do not cut off the power (This is to protect the compressor).

## 2 Product Introduction

### 2.1 Overall Layout




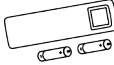
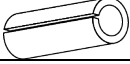
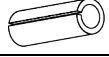



**NOTICE:**


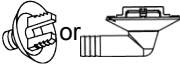


The connection pipe, drain pipe, power cord for this unit should be prepared by the user.

## 2.2 Product Operating Range

-	Cooling	Heating
Outdoor temperature DB(°C)	-15~48	-15~24
Indoor temperature DB/WB(°C) (Maximum)	32/23	27/-

## 2.3 Standard Accessories

Indoor Unit Accessories				
No.	Name	Appearance	Q'ty	Usage
1	Nut with Washer		8	To fix the hook on the cabinet of the unit.
2	Wireless Controller + Battery		1+2	To control the indoor unit
3	Insulation		1	To insulate the gas pipe
4	Insulation		1	To insulate the liquid pipe
5	Fastener		4	To fasten the sponge and the Damping Block
6	Nut		1	To connect gas pipe
7	Nut		1	To connect liquid pipe

Outdoor Unit Accessories				
No.	Name	Appearance	Q'ty	Usage
1	Drain Plug		1or 3	To plug the unused drain hole
2	Drainage Connector		1	To connect with the hard PVC drain pipe.
3	Rubber Ring		0 or 2	Used for threading power cord or communication wire
4	Sealing Pad		0 or 1	Used for threading the connection pipe

## 3 Installation

### 3.1 Installation Preparation

#### 3.1.1 Selection of Installation Location



#### **WARNING!**

- |   |
|---|
| (1) The unit must be installed where strong enough to withstand the weight of the unit and fixed securely, otherwise the unit would topple or fall off. |
| (2) Install the air conditioner at a place where the inclination is less than 5°.   |
| (3) Do not install the unit at a place with direct sunlight.  |
| (4) Do not install where there is the danger of combustible gas leakage.  |
| (5) Do not install the unit near heat source of heat, steam, or flammable gas.  |


Selection of Installation Location for Indoor Unit (Select a location pursuant to the following condition).

- (1) Air inlet and outlet of the indoor unit should be a way from obstacles to make sure the unit's air flow can reach the entire room. Do not install the unit in a kitchen or a laundry.
- (2) Select a location that can withstand 4 times the unit weight without increasing operating noise and vibration.
- (3) The installation location must be level.
- (4) The indoor piping length and wiring length should be within the allowable range.
- (5) Select a place that can easily drain condensate and connect to the drain system of the air conditioner.
- (6) If hoisting screws/bolts are to be used, check whether the installation location is safe enough. If not safe, reinforce the location before installation.
- (7) Indoor unit, power cord, connecting wires and communication cords should be at least 1m from television and radio. This is to prevent image interference or noise (Even at a distance of 1m, a very strong electric wave may still generate noise).

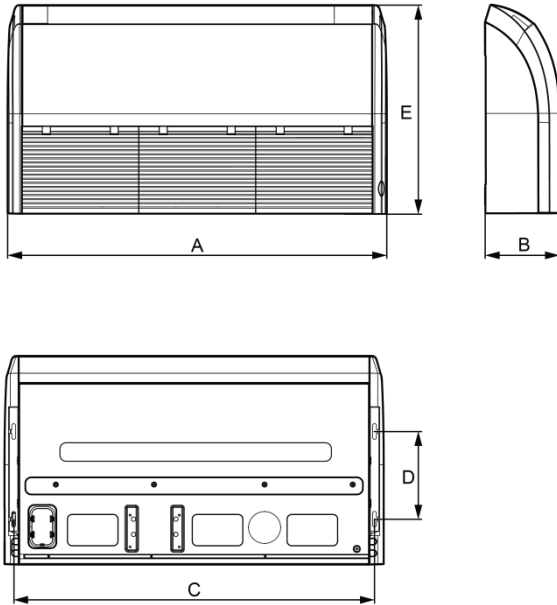
Selection of Installation Location for Outdoor Unit (Select a location pursuant to the following condition).

- (1) Noise and air flow produced by the outdoor unit will not disturb the neighbors.
- (2) Select a location that is safe and a way from animals and plants. If not, please add safety fences to protect the unit.
- (3) Install at a place with good ventilation. Make sure the outdoor unit stays at a well-ventilated place with no obstacles nearby that may obstruct the air inlet and outlet.
- (4) The installation location should be able to withstand the weight and vibration of outdoor unit and allow the installation to be carried out safely.
- (5) Avoid installing at a place with leakage of inflammable gas, oil smoke or corrosive gas.
- (6) Keep it away from strong wind because strong wind will affect the outdoor fan and lead to insufficient air flow volume and thus affecting the unit's performance.
- (7) Install the outdoor unit at a place that is convenient for it to be connected to the indoor unit.
- (8) Away from any object that may get the air conditioner generating noise.
- (9) Install the outdoor unit at a place where condensate can be easily drained.

### 3.1.2 Unit Dimension

 <b>WARNING!</b>
(1) Install the indoor unit in a location which can withstand a load of at least five times the weight of the main unit and which will not amplify sound or vibration.
(2) If the installation location is not strong enough, the indoor unit may fall and cause injuries.
(3) If the job is done with the panel frame only, there is a risk that the unit will come loose. Please take care.

(1) Indoor Unit



**NOTICE!**

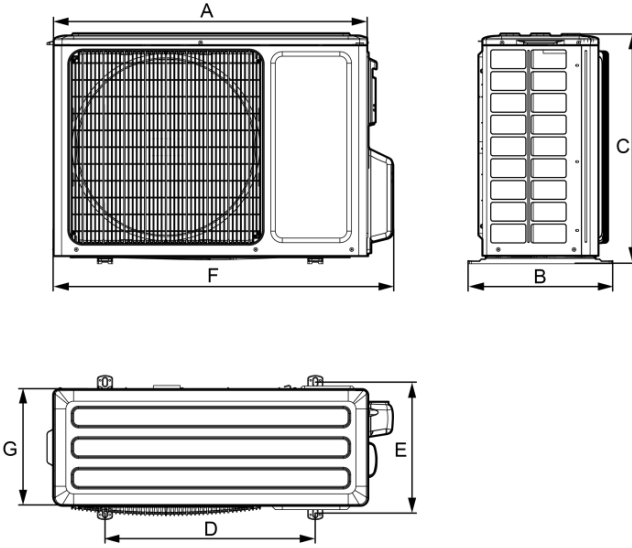
Drilling of ceiling opening and installation of air conditioner must be performed by professionals!

Unit: mm

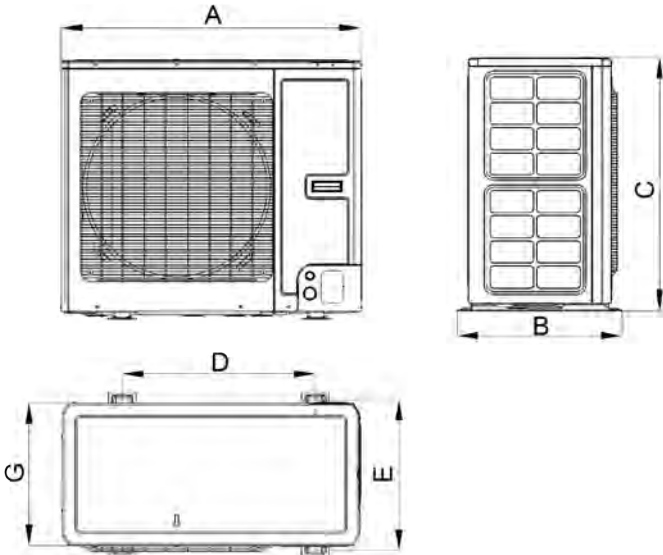
Model \ Dimensions	A	B	C	D	E
CH-F050NK	870	235	812	318	665
CH-F071NK	1200	235	1142	318	665
CH-F085NK	1200	235	1142	318	665
CH-F100NK	1200	235	1142	318	665
CH-F125NK	1200	235	1142	318	665
CH-F140NK	1570	235	1512	318	665
CH-F160NK	1570	235	1512	318	665

(2) Outdoor units

CH-U050NK CH-U071NK CH-U085NK CH-U100NM



CH-U125NM CH-U140NM CH-U160NM



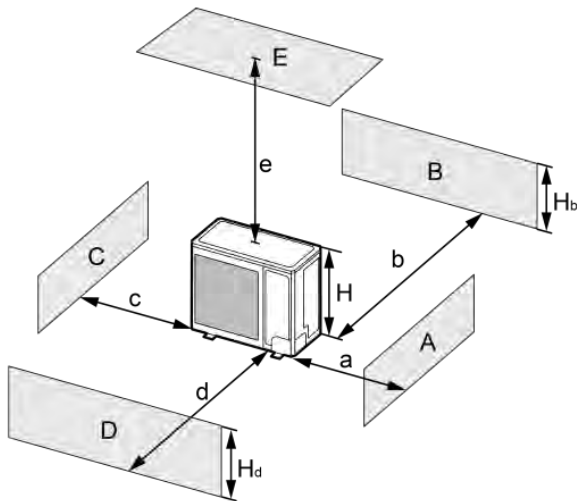
Unit: mm

Model	A	B	C	D	E	F	G
CH-U050NK	761	320	548	540	286	825	256
CH-U071NK	892	396	698	560	364	957	340
CH-U085NK	892	396	698	560	364	957	340
CH-U100NM	920	427	790	610	395	985	370
CH-U125NM	940	530	820	610	486	1010	460
CH-U140NM	940	530	820	610	486	1010	460
CH-U160NM	940	530	820	610	486	1010	460

### 3.1.3 Diagram of Unit Installation Space and Location

(1) Diagram of installation space and location for outdoor unit (NOTICE: for best performance of the outdoor unit, make sure its installation space conforms to the following installation dimensions).

1) When one outdoor unit is to be installed.



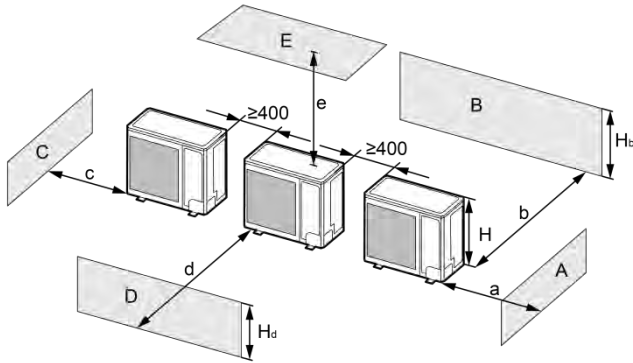


N Series Floor Ceiling Type Unit

A~E	$H_b$ $H_d$ $H$		(mm)				
			a	b	c	d	e
B	—		—	$\geq 100$	—	—	—
A,B,C,	—		$\geq 300$	$\geq 100$	$\geq 100$	—	—
B,E	—		—	$\geq 100$	—	—	$\geq 1000$
A,B,C,E	—		$\geq 300$	$\geq 150$	$\geq 150$	—	$\geq 1000$
D	—		—	—	—	$\geq 1000$	—
D,E	—		—	—	—	$\geq 1000$	$\geq 1000$
B,D	$H_b < H_d$	$H_d > H$	—	$\geq 100$	—	$\geq 1000$	—
	$H_b > H_d$	$H_d < H$	—	$\geq 100$	—	$\geq 1000$	—
B,D,E	$H_b < H_d$	$H_b \leq 1/2H$	—	$\geq 250$	—	$\geq 2000$	$\geq 1000$
		$1/2H < H_b \leq H$	—	$\geq 250$	—	$\geq 2000$	$\geq 1000$
		$H_b > H$	Prohibited				
	$H_b > H_d$	$H_d \leq 1/2H$	—	$\geq 100$	—	$\geq 2000$	$\geq 1000$
		$1/2H < H_d \leq H$	—	$\geq 200$	—	$\geq 2000$	$\geq 1000$
		$H_d > 1/2H$	Prohibited				

2) When two or more outdoor units are to be installed side by side.

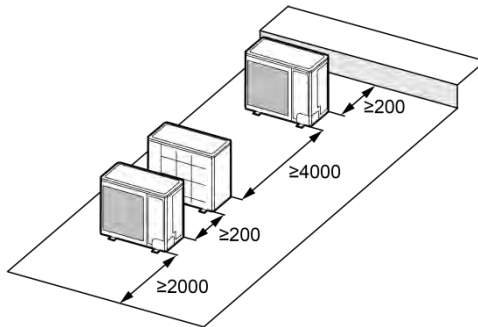
Unit:mm

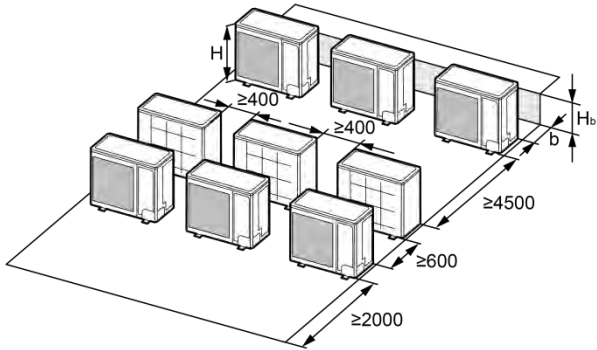


A~E	$H_b$ $H_d$ $H$		(mm)				
			a	b	c	d	e
A,B,C	—		$\geq 300$	$\geq 300$	$\geq 1000$	—	—
A,B,C,E	—		$\geq 300$	$\geq 300$	$\geq 1000$	—	$\geq 1000$
D	—		—	—	—	$\geq 2000$	—
D,E	—		—	—	—	$\geq 2000$	$\geq 1000$
B,D	$H_b < H_d$	$H_d > H$	—	$\geq 300$	—	$\geq 2000$	—
		$H_d \leq 1/2H$	—	$\geq 250$	—	$\geq 2000$	—
	$H_b > H_d$	$1/2H < H_d \leq H$	—	$\geq 300$	—	$\geq 2500$	—
$H_b < H_d$		$H_b \leq 1/2H$	—	$\geq 300$	—	$\geq 2000$	$\geq 1000$
	$1/2H < H_b \leq H$	—	$\geq 300$	—	$\geq 2500$	$\geq 1000$	
	$H_b > H$	Prohibited					
B,D,E	$H_b > H_d$	$H_d \leq 1/2H$	—	$\geq 250$	—	$\geq 2500$	$\geq 1000$
		$1/2H < H_d \leq H$	—	$\geq 300$	—	$\geq 2500$	$\geq 1000$
		$H_d > 1/2H$	Prohibited				

3) When outdoor units are installed in rows.

Unit:mm

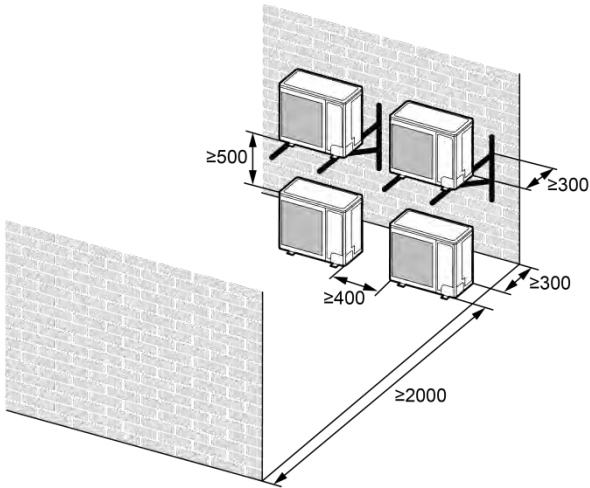




$H_b$ H	(mm)
$H_b \leq 1/2H$	$b \geq 250$
$1/2H < H_b \leq H$	$b \geq 300$
$H_b > H$	Prohibited

4) When outdoor units are installed one above another

Unit:mm



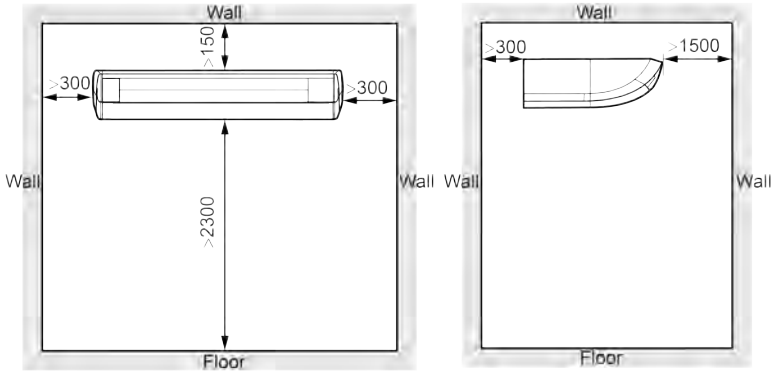
(2) Diagram of installation location and space for indoor unit (NOTICE: for the best performance of indoor unit, make sure its installation space conforms to the following installation dimensions).

- 1) Install the unit at a place where is strong enough to withstand the weight of the unit.

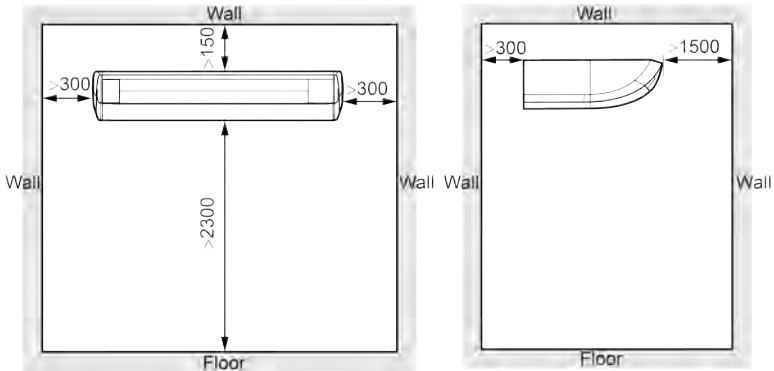
- 2) The air inlet and outlet of the unit should never be clogged so that the airflow can reach every corner of the room.
- 3) Leave service space around the unit.

Floor Type

Unit: mm



Ceiling Type



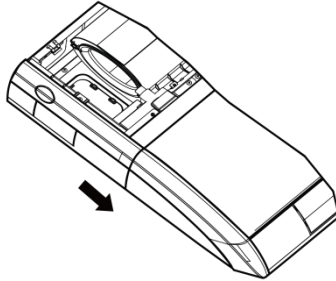
- 4) Install the unit where the drain pipe can be easily installed.
- 5) The space from the unit to the ceiling should be kept as much as possible so as for more convenient service.

## 3.2 Unit Installation

### 3.2.1 Indoor Unit Installation

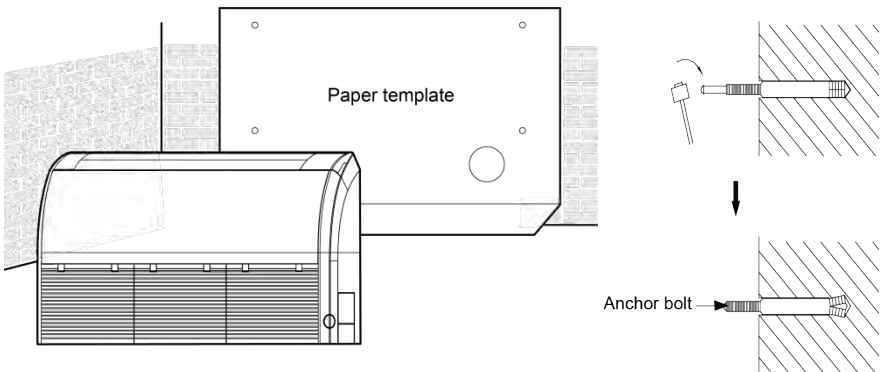
#### 3.2.1.1 Preparation for Installing the Indoor Unit

- (1) Dismantle the clasp in the left and right grille and take down the screws.
- (2) Take down the fixed screws in the left and right side plate.
- (3) Turn on the left and right side plate in arrow direction.



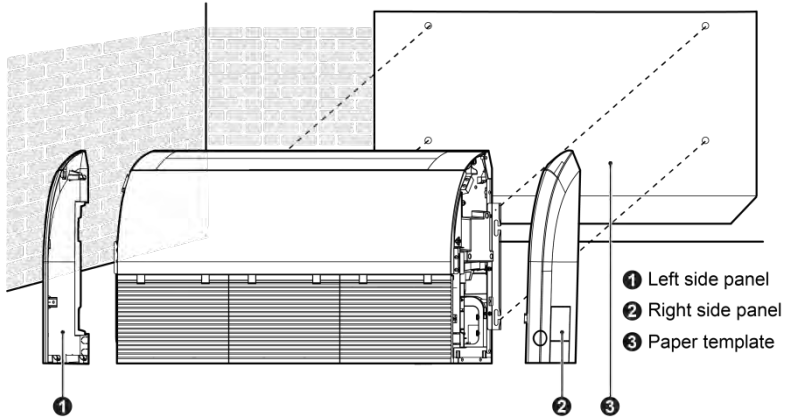
#### 3.2.1.2 Indoor Unit Installation

- (1) Determine the location of the hanger through the paper template, and then remove the paper template.



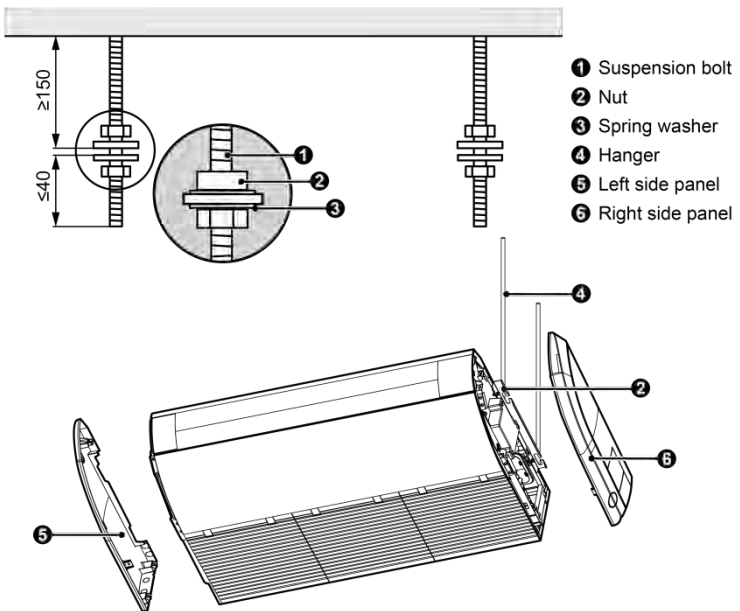
- (2) Insert the anchor bolts into the drilled holes, and drive the pins completely into the anchor bolts with a hammer.
- (3) Remove the right and left side panels.
- (4) Put the hanger bolt into the clasp of the indoor unit and tighten screws on the hanger to prevent the indoor unit from moving.
- (5) Reinstall and tighten the right and left side panels.

Floor type



Ceiling type

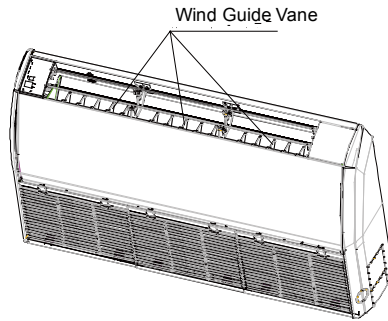
Unit: mm



(6) Adjust the height of the unit to make the drain pipe slant slightly downward so that the drainage will become much smoother.

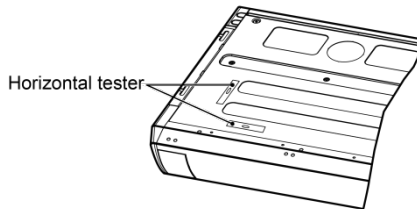
(7) Reinstall and tighten the right and left side panel.

- (8) When installing the floor ceiling type unit, if user adjust the horizontal blade with hand, the angle of horizontal blade should be adjusted as the same direction.



### 3.2.1.3 Leveling

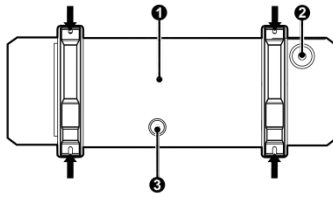
The water level test must be done after installing the indoor unit to make the unit is horizontal, as shown below.



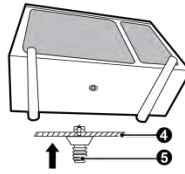
### 3.2.2 Outdoor Unit Installation

- (1) If the outdoor unit is installed on a solid ground such as concrete, use M10 screw bolts and nuts to secure the unit and make sure the unit stands erect and level.
- (2) Do not install it on top of the building.
- (3) If it vibrates and causes noise, please add rubber cushion between the outdoor unit and the installation base.
- (4) When the outdoor unit is in heating or defrosting, it needs to drain water. When installing the drain pipe, plug the accompanied drainage connector to the drainage hole on the chassis of the outdoor unit. Then connect a drain hose to the drainage connector (If drainage connector is used, the outdoor unit should be at least 10cm from the installation ground). See the figures below.

(5) Plugs and drainage connector are not recommended if there is an electrical heater on the chassis.



- ❶ Bottom
- ❷ Drain cap
- ❸ Drain pipe mounting hole



- ❹ Chassis
- ❺ Drain connection

### 3.2.3 Connection Pipe Requirement

#### 3.2.3.1 Installation Notice and Requirement on Connection Pipe

Installation method: Connect the connection pipes first to the indoor unit and then to the outdoor unit. When bending a connection pipe, be careful not to damage the pipe. Do not over-tighten the screw nut, otherwise leakage will occur. Besides, the outside of connection pipe should be added with a layer of insulating cotton to protect it from mechanical damage during installation, maintenance and transportation.

Item Model	Size of Fitting Pipe(inch)		Maximum pipe length(m)	Biggest drop between indoor and outdoor units (m)	Drainage pipe(Outer Diameter × wall thickness) (mm)
	Liquid	Gas			
CH-F050NK	Φ1/4	Φ1/2	30	15	Φ17×1.5
CH-F071NK	Φ3/8	Φ5/8	30	15	Φ17×1.5
CH-F085NK			30	15	Φ17×1.5
CH-F100NK			30	20	Φ17×1.5
CH-F125NK			50	30	Φ17×1.5
CH-F140NK			50	30	Φ17×1.5
CH-F160NK			50	30	Φ17×1.5

Connection pipe should adopt water-proof insulating material. Its wall thickness should be 0.5-1.0mm and the pipe wall should be able to withstand 6.0MPa. The longer the connection pipe is, the worse cooling and heating performance it has.

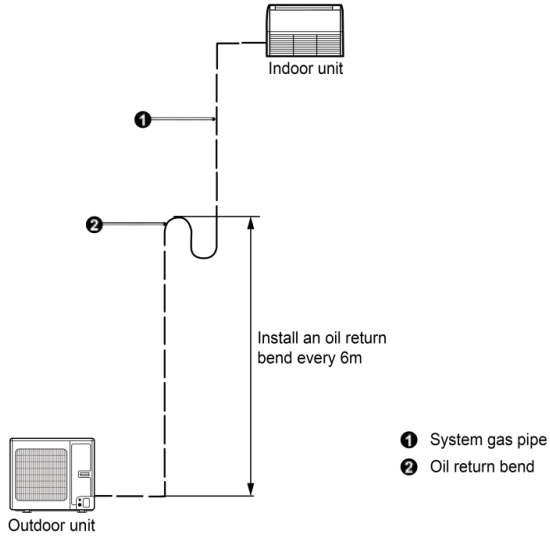


When the drop between indoor and outdoor units is larger than 10m, an oil return bend should be added every 6m.

The requirement on the adding of oil return bend is as below:

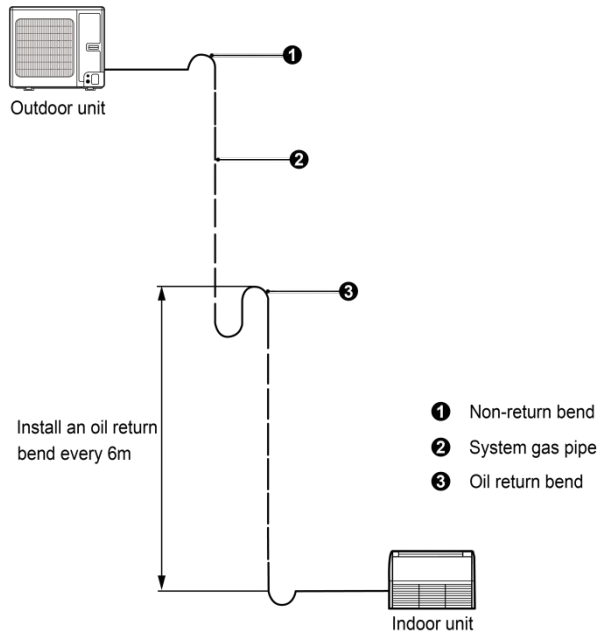
- (1) Outdoor unit is beneath the indoor unit.

There's no need to add non-return bend at the lowest or highest position of the vertical pipe, as shown below:

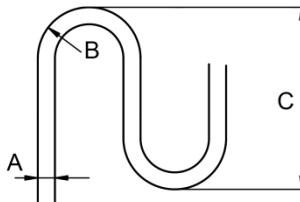


(2) Outdoor unit is above the indoor unit.

It's necessary to add oil return bend and non-return bend at the lowest and highest position of the vertical pipe, as shown below:



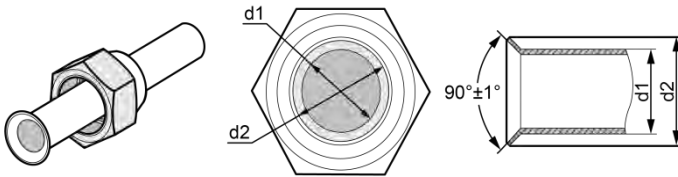
Dimensions for the making of oil return bend are as follows:



A(inch)	B(mm)	C(mm)
Φ1/2	≥26	≤150
Φ5/8	≥33	≤150

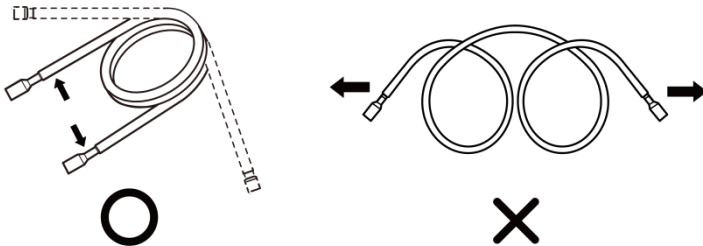
### 3.2.3.2 Pipe Flaring

- (1) Cut the connection pipe with a pipe cutter.
- (2) The mouth of connection pipe should face downward. Remove burrs with the cut surface so that the chips do not enter the pipe.
- (3) Take out the flare nut from the bag of indoor unit accessories. Then fit the flare nut on the pipe and use a flaring tool to flare the mouth of connection pipe.
- (4) Check whether the flaring part has cracked (see the figure below).



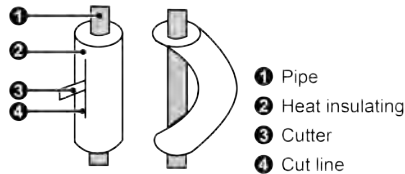
### 3.2.3.3 Pipe Bending

- (1) The pipes are shaped by your hands. Be careful not to collapse them.



- (2) Do not bend the pipes in an angle more than  $90^\circ$ .
- (3) If the pipe is repeatedly bent or extended, it will become hard and difficult to be bent or extended. So do not bend or extend the pipe for more than 3 times.

- (4) When bending the pipe, do not bend it excessively, otherwise it will get broken. As shown beside, use a sharp cutter to cut the heat insulating pipe and bend it after the pipe is exposed. After bending, place the heat insulating pipe back on the pipeline and fix it with adhesive tape.



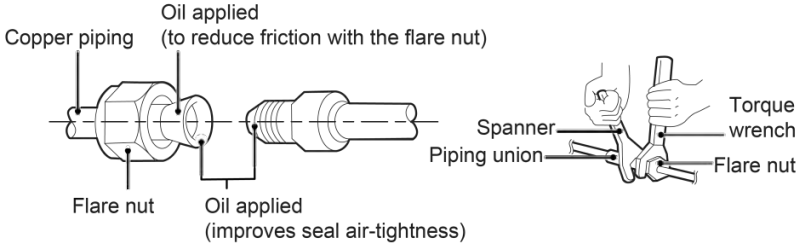
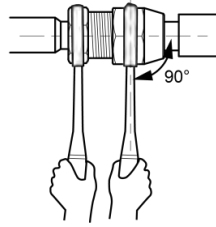
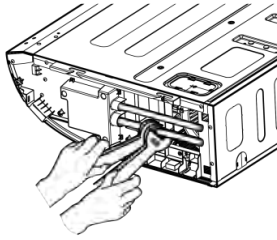
### 3.2.3.4 Connecting the Pipe at the Indoor Unit Side



#### NOTICE!

- |   |
|---|
| (1) Connect the pipe to the unit. Please follow the instructions stated in the figures below. Use both spanner and torque wrench.               |
| (2) When connecting the tapered screw nut, first apply chilled machine oil on its inner and outer surface and then screw it up for 3~4 circles. |
| (3) Confirm the tightening torque by referring to the following table (If the screw nut is over-twisted, it may be damaged and cause leakage).  |
| (4) Check whether gas leakage occurs to the connection pipe and then apply thermal insulation, as shown below.                                  |
| (5) Wind sponge around the joint of gas pipe and heat insulation sheath of gas collecting pipe.   |
| (6) Be sure to connect gas pipe after liquid pipe is connected.   |

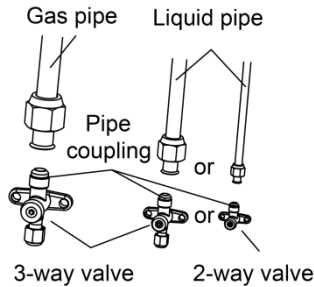
# N Series Floor Ceiling Type Unit



Pipe diameter (inch)	Tightening torque (N·m)
Φ1/4	15-30
Φ3/8	35-40
Φ1/2	45-50
Φ5/8	60-65
Φ3/4	70-75
Φ7/8	80-85

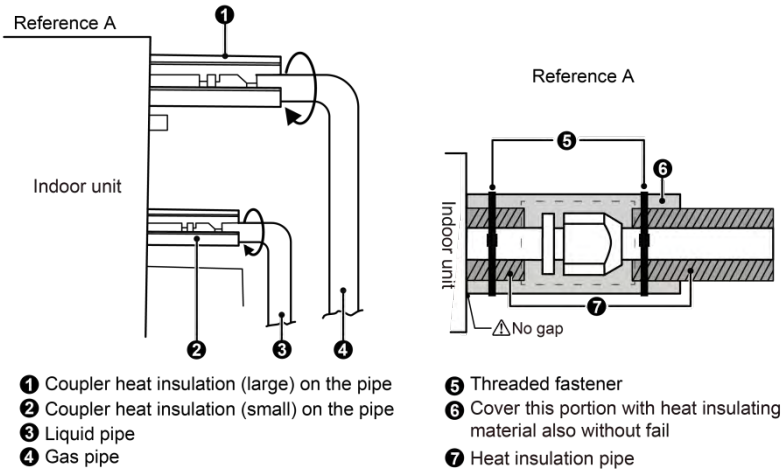
Screw on the flare nut of the flaring connecting pipe on the outdoor unit valve.

The method of screwing the flare nut is the same with that for indoor unit.



### 3.2.3.5 Thermal Insulation of Pipe Joint (Only for Indoor Unit)

Stick coupler heat insulation (large and small) to the place where connecting pipes.



### 3.2.4 Connection Pipe Vacuum Pumping



Make sure the outlet of vacuum pump is away from fire source and is well-ventilated.

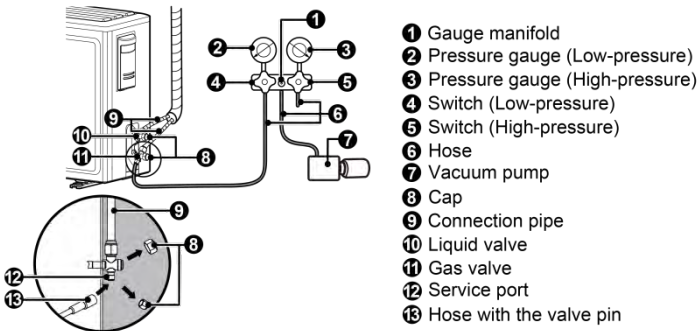
- (1) Remove the caps of the liquid valve, gas valve and also the service port.
- (2) Connect the hose at the low pressure side of the manifold valve assembly to the service port of the unit's gas valve, and meanwhile the gas and liquid valves should be kept closed in case of refrigerant leak.
- (3) Connect the hose used for evacuation to the vacuum pump.
- (4) Open the switch at the lower pressure side of the manifold valve assembly and start the vacuum pump. Meanwhile, the switch at the high pressure side of the manifold valve assembly should be kept closed, otherwise evacuation would fail.

(5) The evacuation duration depends on the unit's capacity, generally.

Model	Time(min)
CH-F050NK	20
CH-F071NK CH-F085NK CH-F100NK	30
CH-F125NK CH-F140NK CH-F160NK	45

And verify if the pressure gauge at the low pressure side of the manifold valve assembly reads -0.1MPa (-750mmHg), if not, it indicates there is leak somewhere. Then, close the switch fully and then stop the vacuum pump.

- (6) Wait for 10min to see if the system pressure can remain unchanged. If the pressure increase, there may be leakage.
- (7) Slightly open the liquid valve and let some refrigerant go to the connection pipe to balance the pressure inside and outside of the connection pipe, so that air will not come into the connection pipe when removing the hose. Note that the gas and liquid valve can be opened fully only after the manifold valve assembly is removed.
- (8) Place back the caps of the liquid valve, gas valve and also the service port.



**NOTICE:** For large-size units, there are maintenance ports for liquid valve and gas valve. During evacuation, you may connect the two hoses of the branch valve assembly to the maintenance ports to speed up the evacuation.

### 3.2.5 Refrigerant Adding

See the following table for the amount of additional refrigerant.

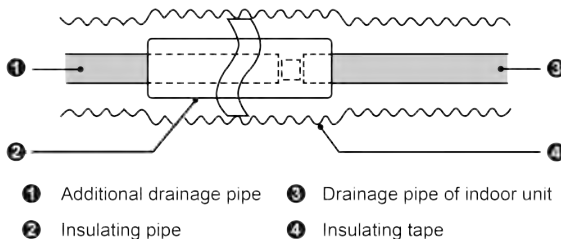
Item	Standard Pipe Length	Unnecessary Charge Pipe Length	Additional Refrigerant Amount for Extra Pipe
CH-U050NK	5.0m	≤7.0m	22 g/m
CH-U071NK	5.0m	≤7.0m	30 g/m
CH-U085NK	5.0m	≤7.0m	30 g/m
CH-U100NM	5.0m	≤7.0m	45 g/m
CH-U125NM	5.0m	≤7.0m	45 g/m
CH-U140NM	7.5m	≤9.5m	45 g/m
CH-U160NM	7.5m	≤9.5m	54 g/m

### 3.2.6 Installation of Drain Pipe

- (1) It is not allowed to connect the condensate drain pipe into waste pipe or other pipelines which are likely to produce corrosive or peculiar smell to prevent the smell from entering indoors or corrupt the unit.
- (2) It is not allowed to connect the condensate drain pipe into rain pipe to prevent rain water from pouring in and cause property loss or personal injury.
- (3) Condensate drain pipe should be connected into special drain system for air conditioner.

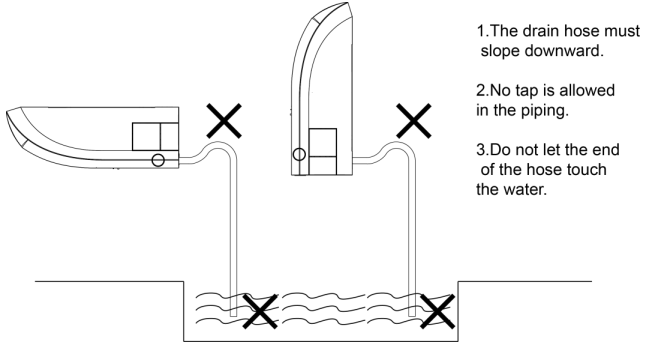
#### 3.2.6.1 Indoor Side Drain Pipe

- (1) Keep piping as short as possible and slope it downwards at a gradient of at least 1/100 so that air may not remain trapped inside the pipe.
- (2) Keep pipe size equal to or greater than that of the connecting pipe.
- (3) Install the drain piping as shown and take measures against condensation. Improperly rigged piping could lead to leaks and eventually wet furniture and belongings.





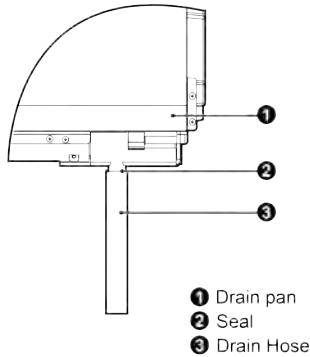
(4) Connect the drain hose.



- 1.The drain hose must slope downward.
- 2.No tap is allowed in the piping.
- 3.Do not let the end of the hose touch the water.

(5) Installing the Drain Pipes.

- 1) For determining the position of the drain hose, perform the following procedures.
- 2) Insert the drain pipe to the drain outlet of the unit and then tighten the clamp securely with tape.
- 3) Connect the extension drain pipe to the drain pipe and then tighten the clamp with tape.



- ① Drain pan
- ② Seal
- ③ Drain Hose

<p>Insulate the pipe clamp and the drain hose using heat insulation sponge.</p> <ul style="list-style-type: none"> <li>① Metal clamp</li> <li>② Drain hose</li> <li>③ Grey tape</li> </ul>	<p>Tighten the clamp until the screw head is less than 4 mm from the hose.</p> <ul style="list-style-type: none"> <li>① Metal clamp</li> <li>② Insulation sponge</li> </ul>

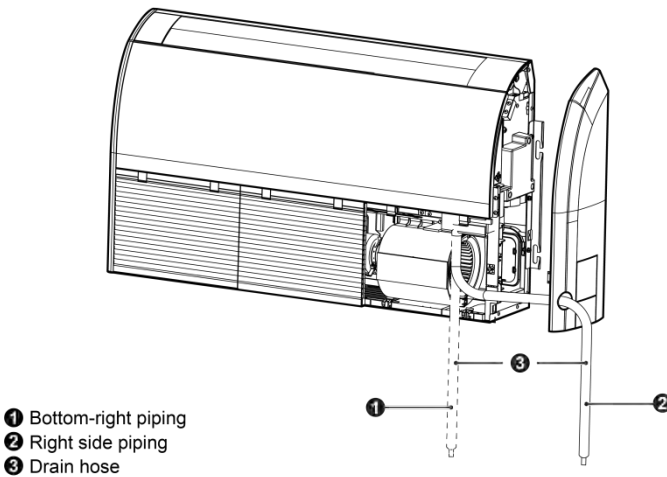
- 4) When drain hose requires extension, obtain an extension hose commercially available.
- 5) After connecting the local drain hose, tape the slits of the heat insulation tube.
- 6) Connect the drain hose to the local drain pipe. Position the interconnecting wire in the same direction as the piping.

### 3.2.6.2 Connecting the Drain Hose

- (1) Connect the extension auxiliary pipe to the local piping.
- (2) Prepare the local piping at the connection point for the drain pipe, as shown in the installation drawings.



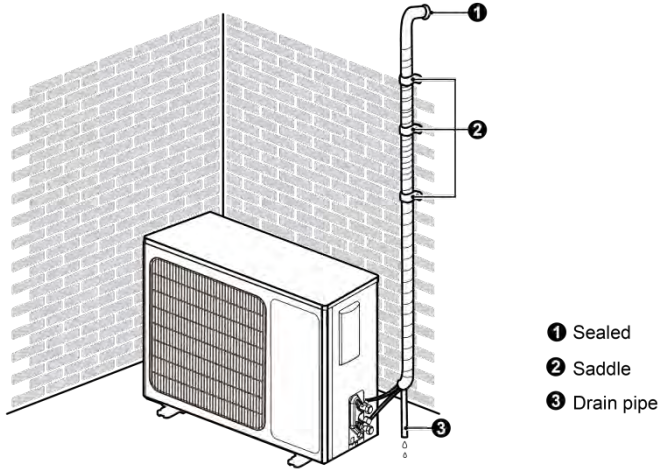
**NOTICE:** Be sure to place the drain hose as shown in the diagram below, in a downward sloping direction.



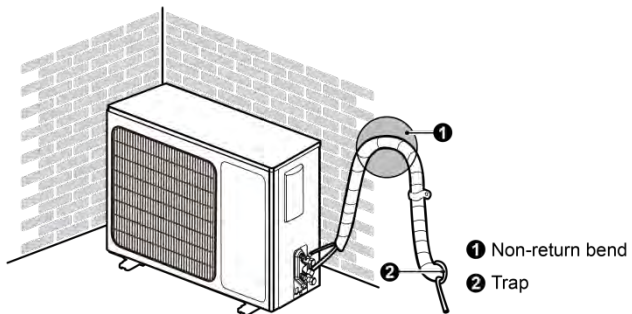
### 3.2.6.3 Outdoor Side Drain Pipe

- (1) If the outdoor unit is underneath the indoor unit, arrange the pipeline according to the following diagram.
  - 1) Drain hose should be placed on the ground and its end should not be immersed into water. The whole pipeline should be supported and fixed onto the wall.
  - 2) Wind the insulating tape from bottom to top.

- 3) The whole pipeline should be wound with insulating tape and fixed onto the wall with saddles.



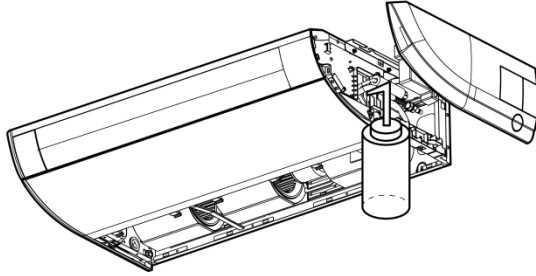
- (2) If the outdoor unit is above the indoor unit, arrange the pipeline according to the following diagram.
  - 1) Wind the insulating tape from bottom to top.
  - 2) The whole pipeline should be wound together to avoid water returning to the room.
  - 3) Use saddles to fix the whole pipeline onto the wall.



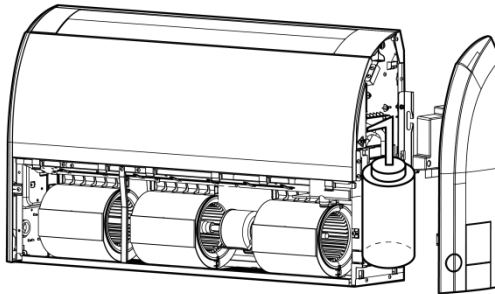
### 3.2.6.4 Connecting the Drain Hose

- (1) After piping work is finished, check if drainage flows smoothly.
- (2) As shown in the figure, pour water into the drain pan from the right side to check that water flows smoothly from the drain hose.

Ceiling type



Floor type



## 3.3 Electrical Installation

### 3.3.1 Requirement and Notice on Electrical Installation



**WARNING:**

The electrical installation for the air conditioner should observe the following requirements:

- ① The electrical installation must be conducted by professionals in compliance with local laws and regulations and the instructions in this manual. Never extend the power cord. The electric circuit must be equipped with a circuit breaker and a disconnector switch both with sufficient capacity.

- ② The unit's operating power must be within the nominal range stated in the instruction manual. Use a specialized power circuit for the air conditioner. Do not draw power from another power circuit.
- ③ The air conditioner circuit should be at least 1.5m away from any inflammable surface.
- ④ The external power cord, connection wire of indoor and outdoor units and the communication cords must be effectively fixed.
- ⑤ The external power cord, connection wire of indoor and outdoor units and the communication cords can't directly contact any hot objects. For example: they must not contact chimney pipes, warm gas pipes or other hot objects.
- ⑥ The external power cord, communication cords, and the connection wire of indoor and outdoor units must not be squeezed. Never pull, stretch or bend the wires.
- ⑦ The external power cord, communication cords and the connection wire of indoor and outdoor units must not collide with any metal beam or edge on the ceiling, or touch any metal burrs or sharp metal edge around.
- ⑧ Connect wires correspondingly by referring to the circuit diagram labeled on the unit or electric box. Screws must be tightened up. Slipped screws must be replaced by specialized flat-head screws.
- ⑨ Please use the power cables that are delivered along with the air conditioner. Do not change the power cables arbitrarily. Do not change the length and terminals of the power cables. If you want to change the power cables, please contact C&H's local service center.
- ⑩ Wiring terminals should be connected firmly to the terminal board. Loose connection is forbidden.
- ⑪ After the electrical installation is finished, please use wire clamps to secure the power cord, connection wire of indoor and outdoor units and the communication cords. Make sure the wires are not clamped too tight.
- ⑫ The wire gauge of power cord should be large enough. Damaged power cord or other wires must be replaced by specialized wires. Wiring work must be done according to national wiring rules and regulations.

### 3.3.2 Electrical Parameters

Electric Wire Size and Fuse Capacity.

Model	Power supply	Fuse capacity	Circuit breaker capacity	Min. sectional area of power cord
	V/Ph/Hz	A	A	mm <sup>2</sup>
Indoor unit	220-240V ~50Hz	3.15	6	1.0

Model	Power Supply	Circuit Breaker Capacity	Min. Sectional Area of Power Cord
	V/Ph/Hz	A	mm <sup>2</sup>
CH-U050NK	220-240V ~50Hz	16	1.5
CH-U071NK	220-240V ~50Hz	20	2.5
CH-U085NK	220-240V ~50Hz	25	2.5
CH-U100NM	380-415V 3N~50Hz	16	1.5
CH-U125NM	380-415V 3N~50Hz	16	1.5
CH-U140NM	380-415V 3N~50Hz	16	1.5
CH-U160NM	380-415V 3N~50Hz	16	1.5



#### NOTICE:

- ① Fuse is located on the main board.
- ② Install a circuit breaker at every power terminal near the units (indoor and outdoor units) with at least 3mm contact gap. The units must be able to be plugged or unplugged.
- ③ Circuit breaker and power cord specifications listed in the above table are determined based on the maximum power input of the units.
- ④ Supply cords of parts of appliances for outdoor use shall not be lighter than polychloroprene sheathed flexible cord (code designation 60 245 IEC 57).
- ⑤ Specifications of circuit breaker are based on a working condition where the working temperature is 40°C. If working condition changes, please adjust the specifications according to national standards.

- ⑥ Adopt 2pc of 0.75mm<sup>2</sup> power cords to be the communication cords between indoor and outdoor units. The maximum length is 100m. Please select a proper length according to local conditions. Communication cords must not be twisted together. To be in compliance ISO5151, it is necessary to use 8 meters long wire.
- ⑦ Adopt 2pc of 0.75mm<sup>2</sup> power cords to be the communication cords between wired control and indoor unit. The maximum length is 30m. Please select a proper length according to local conditions. Communication cords must not be twisted together. To be in compliance ISO5151, it is necessary to use 8 meters long wire.
- ⑧ The wire gauge of communication cord should not be less than 0.75mm<sup>2</sup>. It's recommended to use 0.75mm<sup>2</sup> power cords as the communication cords.
- ⑨ Calculation of the maximum permissible system impedance :
  - a) To be in compliance with E N 61 000-3-11, impedance value of power-supply system connected to product must be less than or equal to the allowable maximum value of  $|Z_{sys}|$  in the following sheet:

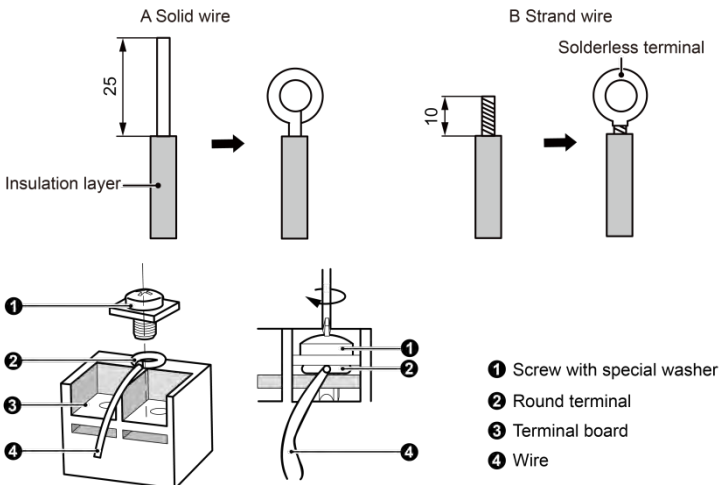
Models	Max $ Z_{sys} $ unit:ohms
CH-U050NK	0.170
CH-U071NK	0.090
CH-U085NK	0.071
CH-U100NM	0.416
CH-U125NM	0.142
CH-U140NM	0.173
CH-U160NM	0.193

- b) Before connecting the product to public power network, please consult your local power supply authority to ensure that the power network has met the above requirements. No requirement for the unlisted product's impedance value of power-supply system.

### 3.3.3 Connection of Power Cord and Communication Cord

- (1) For solid wires (as shown below):
  - 1) Use wire cutters to cut off the wire end and then peel away about 25mm of the insulation layer.
  - 2) Use a screwdriver to unscrew the terminal screw on the terminal board.
  - 3) Use nippers to bend the solid wire into a ring that fits the terminal screw.
  - 4) Form a proper ring and then put it on the terminal board. Use a screwdriver to tighten up the terminal screw.
- (2) For strand wires (as shown below):
  - 1) Use wire cutters to cut off the wire end and then peel away about 10mm of the insulation layer.
  - 2) Use a screwdriver to unscrew the terminal screw on the terminal board.
  - 3) Use a round terminal fastener or clamp to fix the round terminal firmly on the peeled wire end.
  - 4) Locate the round terminal conduit. Use a screwdriver to replace it and tighten up the terminal screw (as shown below).

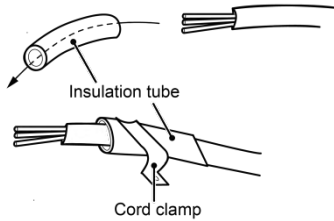
Unit:mm





(3) How to connect the connection wire and power cord.

Lead the connection wire and power cord through the insulation tube. Then fix the wires with wire clamps (as shown in the next figure.)

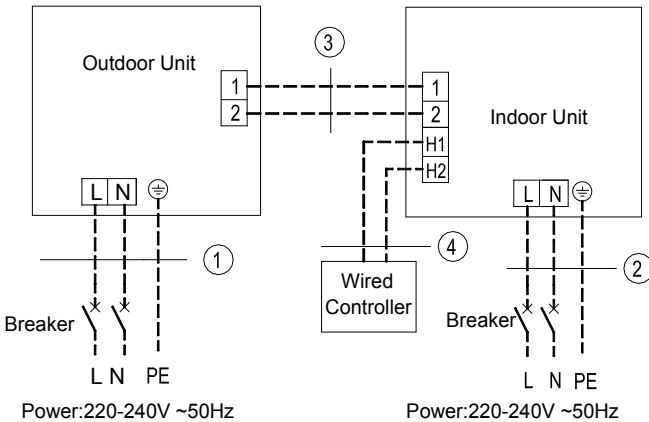


**WARNING!**

- (1) Before working, please check whether the indoor and outdoor units are powered on.
- (2) Match the terminal numbers and wire colors with the colors indicated in the indoor unit.
- (3) Wrong wire connection may burn the electrical components.
- (4) Connect the wires firmly to the wiring box. Incomplete installation may lead to fire hazard.
- (5) Please use wire clamps to secure the external covers of connecting wires. (Insulators must be clamped securely; otherwise, electric leakage may occur.)
- (6) Ground wire should be connected.

(4) Electric wiring between the indoor and outdoor units.

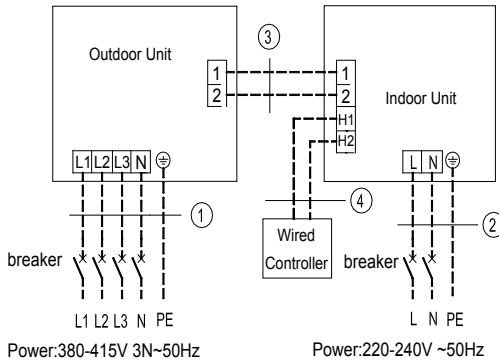
CH-U050NK CH-U071NK CH-U085NK



CH-F050NK +CH-U050NK
① Power cords 3×1.5mm <sup>2</sup>
② Power cords 3×1.0mm <sup>2</sup>
③ Communication cords 2×0.75mm <sup>2</sup>
④ Communication cords 2×0.75mm <sup>2</sup>

CH-F071NK +CH-U071NK CH-F085NK +CH-U085NK
① Power cords 3×2.5mm <sup>2</sup>
② Power cords 3×1.0mm <sup>2</sup>
③ Communication cords 2×0.75mm <sup>2</sup>
④ Communication cords 2×0.75mm <sup>2</sup>

CH-U100NM CH-U125NM CH-U140NM CH-U160NM



CH-F100NK +CH-U100NM
CH-F125NK +CH-U125NM
CH-F140NK +CH-U140NM
CH-F160NK +CH-U160NM
① Power cords 5×1.5mm <sup>2</sup>
② Power cords 3×1.0mm <sup>2</sup>
③ Communication cords 2×0.75mm <sup>2</sup>
④ Communication cords 2×0.75mm <sup>2</sup>

(5) Electrical wiring of indoor unit and Electrical wiring of outdoor unit.

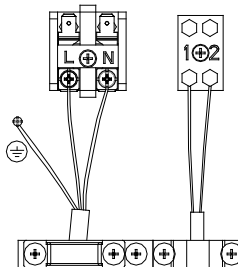
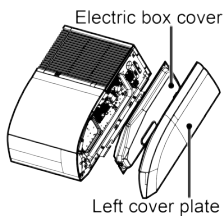


**WARNING!**

- (1) High and low voltage wires should be led through different rubber rings of the electric box cover.
- (2) Do not bundle up the connection wire and communication wire of wired control or lay them side by side, otherwise errors will occur.
- (3) High and low voltage wires should be secured separately. Secure the former ones with big clamps and the latter ones with small clamps.
- (4) Use screws to tighten up the connection wires and power cords of indoor and outdoor units on the terminal board. Wrong connection may lead to fire hazard.
- (5) If the connection wires of indoor unit (outdoor unit) and power cords are not correctly connected, the air conditioner may get damaged.
- (6) Ground the indoor and outdoor units through connecting the ground wire.
- (7) The units should comply with applicable local and national rules and regulations on power consumption.
- (8) When connecting the power cord, make sure the phase sequence of the power supply matches with the corresponding terminals, otherwise the compressor will get reversed and operate abnormally.

1) Indoor side

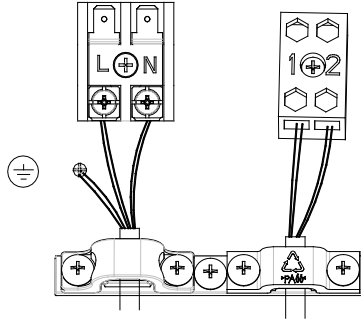
Take off the electric box cover from the sub-assembly of electric box. Then connect the wires. Connect the connection wires of indoor unit according to the corresponding marks.



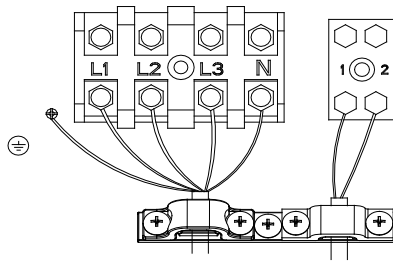
2) Outdoor side

Remove the big handle/front panel of the outdoor unit and insert one end of the communication cord and the power cord to the terminal board.

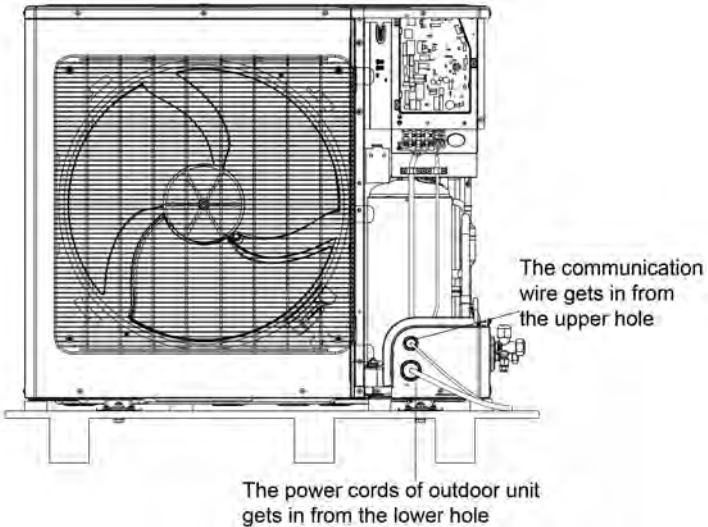
CH-U050NK CH-U071NK CH-U085NK



CH-U100NM CH-U125NM CH-U140NM CH-U160NM



CH-U125NM CH-U140NM CH-U160NM



### 3.4 Check after Installation

Check Items after Installation

Check items.	Possible events due to improper installation.
Is the main body installed securely?	The unit may fall down, vibrate or produce noise.
Did you do water leakage test?	Cooling capacity may become unsatisfactory.
Is the unit well insulated from heat?	Condensate, water drops may occur.
Does water drainage go well?	Condensate, water drops may occur.
Is the voltage consistent with that stated on the nameplate?	The unit may fail or its components may get burned.
Are the wires and pipes installed correctly?	The unit may fail or its components may get burned.
Has the unit been safely grounded?	Risk of electric leakage.
Do the specifications of wires comply with the requirement?	The unit may fail or its components may get burned.
Is there any obstacle blocking the air inlet and outlet of the indoor unit?	Cooling capacity may become unsatisfactory.
Have you recorded the length of refrigerant pipe and the refrigerant charging amount?	The refrigerant charging amount can't be controlled.

### 3.5 Test Running

Preparation before connecting the power.

- (1) Power must not be connected if the installation work is not completed.
- (2) Control circuit is correct and all the wires are firmly connected.
- (3) Cut-off valves of the gas pipe and liquid pipe are open.
- (4) The inside of the unit should be clean. Take irrelevant objects out if there is any.
- (5) After checking, re-install the front side plate.

Operation after connecting the power.

- (1) If all the above works are finished, power on the unit.
- (2) If the outside temperature is more than 30°C, heating mode can't be enabled.
- (3) Make sure the indoor and outdoor units can run normally.

- (4) If there's sound of liquid shock when the compressor is running, then stop the air conditioner immediately. Wait until the electric heating belt is heated enough, and then restart the air conditioner.
- (5) Feel the air flow of the indoor unit to see if it is normal.
- (6) Press the swing button or speed control button on remote control or wired control to see if the fan can run normally.



**NOTICE:**

- ① If you use remote control to turn off the unit and then immediately turn the unit on again, compressor will need 3min to restart. Even if you press "ON/OFF" button on the remote control, it won't be started up right away.
- ② If there's no display on the wired control, it's probably because the connection wire between the indoor unit and wired control is not connected. Please check again.

## 4 Installation of Controller

Refer to the Installation Manual of the controller for more details.

## 5 Maintenance

### 5.1 Failures Not Caused by Faults of the AC

If your air-conditioning unit suffers from abnormal operation or failure, please first check the following points before repair:

Failure	Possible Reasons
The unit cannot be started.	<ul style="list-style-type: none"> <li>① The power supply is not connected.</li> <li>② Electrical leakage of air-conditioning unit causes tripping of the leakage switch.</li> <li>③ The operating keys are locked.</li> <li>④ The control loop has failure.</li> </ul>
The unit operates for a while and then stops.	<ul style="list-style-type: none"> <li>① There is obstacle in front of the condenser.</li> <li>② The control loop is abnormal.</li> </ul>
Poor cooling effect.	<ul style="list-style-type: none"> <li>① The air filter is dirty or blocked.</li> <li>② There is heat source or too many people inside the room.</li> <li>③ The door or window is open.</li> <li>④ There is obstacle at the air intake or outlet.</li> <li>⑤ The set temperature is too high.</li> <li>⑥ There is refrigerant leakage.</li> <li>⑦ The performance of room temperature sensor becomes worse.</li> </ul>



**NOTICE:** Check the above items and adopt the corresponding corrective measures. If the air conditioner continues to function poorly, please stop the air conditioner immediately and contact C&H's authorized local service center. Ask our professional service staff to check and repair the unit.

### 5.2 Error Code



**WARNING!**

- (1) If abnormal things (for example, awful smell) occur, please stop the unit immediately and disconnect power. Then contact C&H's authorized service center. If the unit continues to run in abnormal situations, it may get damaged and cause electric shock or fire hazard.
- (2) Do not repair the air conditioner by yourself. Improper maintenance will cause electric shock or fire hazard. Please contact C&H's authorized service center and send for professional service staff to repair.

If the display panel or wired control displays an error code, please refer to the error code meaning stated in the following table.

Number	Error code	Error
1	E1	Compressor high pressure protection
2	E2	Indoor anti-freeze protection
3	E3	Compressor low pressure protection, refrigerant lack protection and refrigerant collecting mode
4	E4	Compressor air discharge high-temperature protection
5	E6	Communication error
6	E8	Indoor fan error
7	E9	Water-full protection
8	F0	Indoor ambient temperature sensor error
9	F1	Evaporator temperature sensor error
10	F2	Condenser temperature sensor error
11	F3	Outdoor ambient temperature sensor error
12	F4	Discharge temperature sensor error
13	F5	Wired control temperature sensor error
14	C5	IDU jumper cap error
15	EE	ODU memory chip error
16	PF	Electric box sensor error
17	H3	Compressor overload protection
18	H4	Overload
19	C4	ODU jumper cap error
20	EL	Emergency Stop(Fire Alarm)



**NOTICE:** When the unit is connected with the wired controller, the error code will be simultaneously shown on it.

Instructions to the Error Indicating Lamps on the Panel of the Floor Ceiling Type Unit.

States of the Indicating Lamps:

- (1) Indicating Lamp of "POWER": The indicating lamp will shine when power on, while it will go out when power off.
- (2) Indicating Lamp of "COOL": The indicating lamp will shine when "COOL" is activated, while it will go out when "COOL" is deactivated.



- (3) Indicating Lamp of “HEAT”: The indicating lamp will shine when “HEAT” is activated, while it will go out when “HEAT” is deactivated.
- (4) Indicating Lamp of “TIMER”: The indicating lamp will shine when “TIMER” is activated, while it will go out when “TIMER” is deactivated or the set.

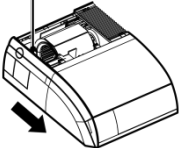
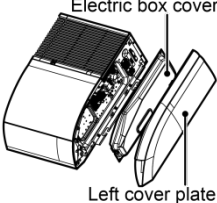


### 5.3 Unit Maintenance

#### 5.3.1 Clean Air Filter

- (1) If the air conditioner is used at a dusty place, clean the air filter regularly. (once every half a year)

How to clean the air filter	
<p>① Open the air inlet grille.</p> <ul style="list-style-type: none"> <li>a) Firstly unfix two buckles on the grille as shown on the picture.</li> <li>b) Remove the screws under the buckles by a screwdriver and then open the inlet grille.</li> </ul>	<p style="text-align: center;">Remove the screw</p>
<p>② Cleaning</p> <p>Use vacuum cleaner to remove dust or rinse the filter. If the filter is very dirty (greasy), use warm water ( below 45 °C ) with neutral detergent to clean it. Then dry the filter at a cool place.</p> <p><b>NOTICE:</b> Do not use hot water (above 45 °C) to clean, otherwise the filter may be discolored or out of shape. Do not dry it with fire, otherwise the filter will catch fire or become out of shape.</p>	

How to clean the air filter	
<p>③ Disassemble the left and right side board</p> <p>a) After the grille is removed, use a screwdriver to remove the screws shown on the picture.</p> <p>b) Push the side plate as per the arrowed direction and take it down.</p>	<p>Remove the screw</p> 
<p>④ Disassemble the right side board.</p>	<p>Disassembly method of right side board Step 3.</p>
<p>⑤ Disassemble the electric box cover. After the right side board is removed, the electric box cover will be shown up and disassemble the fixed screws on it.</p>	

(2) At the Start of the Seasonal Use.

- 1) Check if there is blockage at the inlet or outlet vent of air conditioner.
- 2) Check if the earth wire has been attached reliably by the skilled serviceman.
- 3) Check if the exhausted batteries of the wireless controller have been replaced.
- 4) Check if the air filter had been installed well by professional.

Keep the power switch "On" 8 hours before the startup of the unit which has not been used for a long period.



**NOTICE:** all above should be operated by the skilled serviceman.

(3) At the End of the Seasonal Use.

- 1) Cut off the power supply main switch.
- 2) Clean the air filters and other parts by the skilled serviceman.
- 3) Leave the fan running for 2-3 hours to dry the inside of the unit.



**NOTICE:** all above should be operated by the skilled serviceman.

### 5.3.2 Heat Exchanger of Outdoor Unit

Conduct cleaning for the heat exchanger of outdoor unit periodically, clean it once at least in every two months. Clean the dust and sundries on the surface of the heat exchanger with dust collector and nylon brush, if there's compressed air source; use the compressed air to blow the dust on the surface of the heat exchanger. Don't use tap water for cleaning.

### 5.3.3 Drainage Pipe

Periodically check if the drainage pipe is blocked to smooth the condensate water.

### 5.3.4 Notices at the Beginning of the Using Season

- (1) Check if there is blockage at the inlet or outlet vent of air conditioner.
- (2) Check if the earth wire has been attached reliably by the skilled serviceman.
- (3) Check if the exhausted batteries of the wireless controller have been replaced.
- (4) Check if the air filter had been installed well by professional.

Keep the power switch "On" 8 hours before the startup of the unit which has not been used for a long period.

### 5.3.5 Maintenance at the end of the Using Season

- (1) Cut off the main power of air conditioner.
- (2) Clean the air filters and other parts by the skilled serviceman.
- (3) Leave the fan running for 2-3 hours to dry the inside of the unit.

### 5.3.6 Components Replacement

Components are available in C&H agency or C&H distributors nearby.

## 5.4 After-Sales Services

Any quality or other issues encountered in the purchased air conditioner, please contact the local C&H after-sales service department.



66129930866